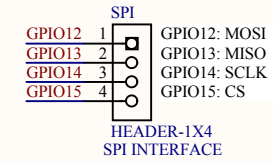
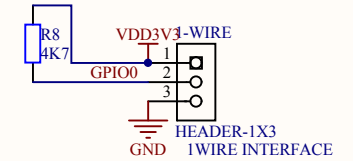
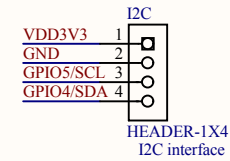
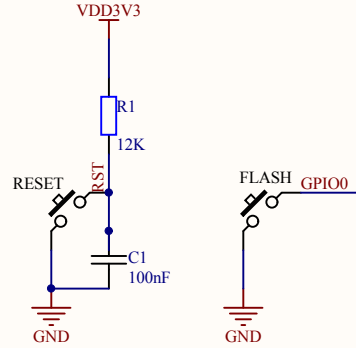
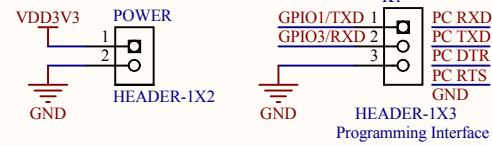
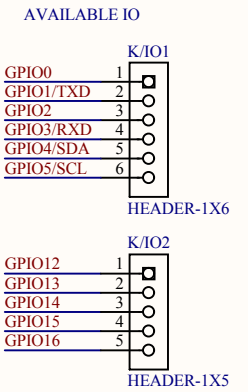
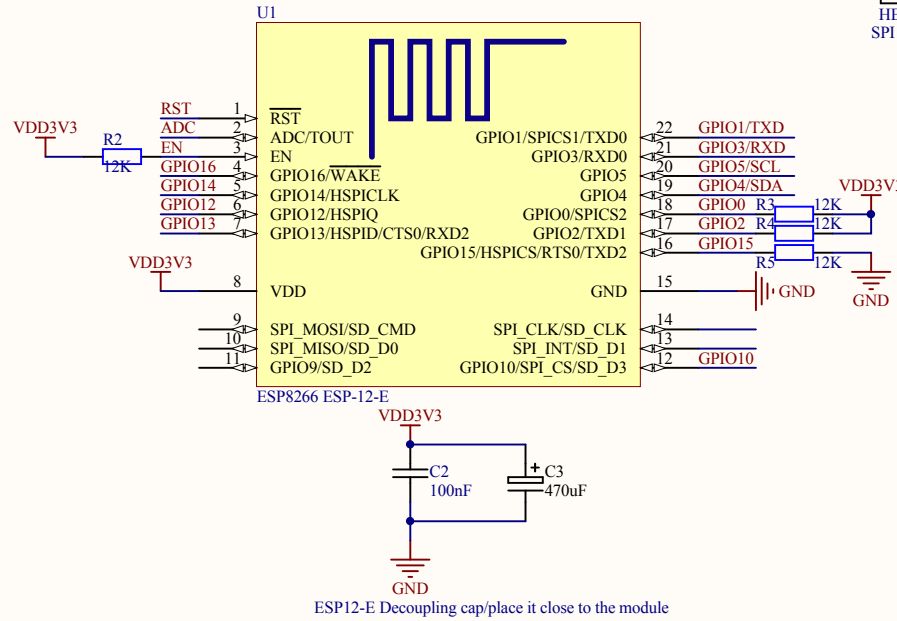
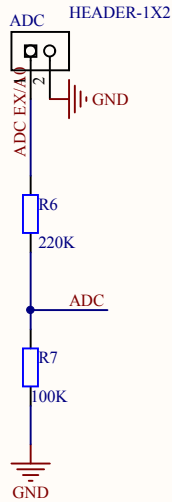
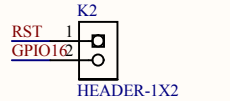


To set the ESP8266 in flash-mode:
 Press the flash-button and hold it pressed
 Press the reset-button, release the reset-button and then release the flash-button

The ESP8266 is now in flash-mode and it will stay that way until you uploaded your sketch or until you press the reset-button again



To enable sleep mode RST and GPIO16 needs to be connected together



Title		
ESP8266 KISS		
Size	Number	Revision
A4		A
Date:	20/10/2019	Sheet of
File:	C:\Projects\...\esp8266-board.SchDoc	Drawn By: