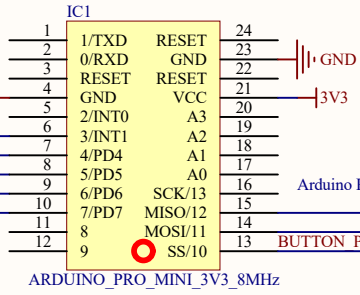
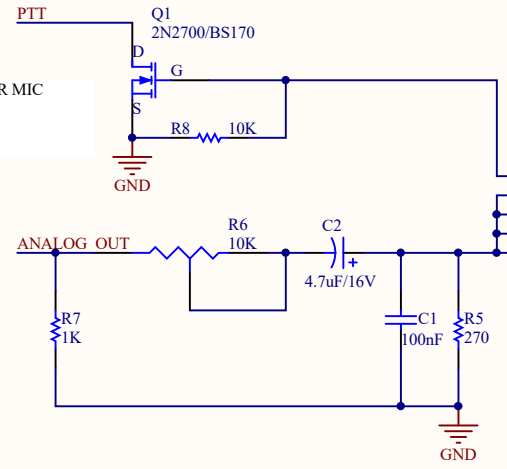
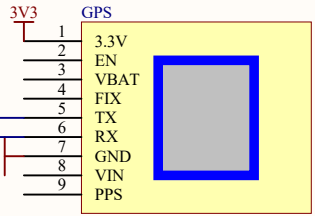
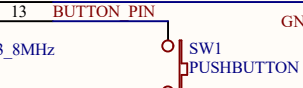


ANALOG_OUT to UV-5R MIC
 PTT to UV-5R PTT
 GND to UV5-R GND



Arduino Pin 13 (LED) is on when TX



Any GPS can be used as long as the output is 9600 bps
 Alternative: change the GPSSerial.begin(9600) to GPSSerial.begin(4800);

Title		
Arduino APRS Tracker SV1QFV code https://github.com/billygr/arduino-aprs-tracker		
Size	Number	Revision
A4		
Date:	29/1/2017	Sheet of
File:	C:\Projects\..arduino-aprs-tracker.SchDoc	Drawn By: